

# A NEW APPROACH TO SPECIALISED TRACTORS



## TRACTORS TO SUIT ALL SPECIALIST NEEDS:

- ✓ Vegetables
- ✓ Nuts
- ✓ Citrus
- ✓ Olives
- ✓ Grapes
- ✓ Avocado
- ✓ Fruit
- ✓ Bananas

1800 872 2867  
[www.deutztractors.com.au](http://www.deutztractors.com.au)





## OUR SPECIALISED RANGE

*go fahr go further*

### **DEUTZ-FAHR - A STRONG COMPANY**

Deutz-Fahr, synonymous with excellence, power and reliability, represents the result of the most advanced German manufacturing technology in the agricultural vehicles sector. Deutz-Fahr is part of the SDF group. The SDF group is one of the world's leading manufacturers of tractors, harvesting machines, engines and agricultural machines with a turnover of 1.39 billion euro in 2015. It distributes tractors through the Deutz-Fahr, SAME, Lamborghini and Hürlimann Brands and grape harvester's through the Grégoire brand.

Without question, Deutz-Fahr is a brand that invests heavily in technology and never loses sight of its primary goal; to supply the farmer with advanced, reliable machines that makes work easier and maximises efficiency.

### **DEUTZ-FAHR IN AUSTRALIA**

Deutz-Fahr in Australia is distributed by PFG Australia. PFG Australia is a wholly owned subsidiary of Power Farming Wholesale Limited, a fully independent and privately owned company who have a three-generation history of serving the New Zealand and Australian tractor and machinery markets.

Wholesale distribution centres are strategically located throughout Australia in Melbourne, Brisbane and Perth. The company, which is headquartered in Melbourne, is situated in a new purpose built distribution centre. This distribution centre includes a 3 acre undercover warehouse with state of the art spare parts, service and training facilities.

The Deutz-Fahr product is further looked after by an extensive trained dealer network which prides themselves on service and support to make sure you get the best product experience.



# WHAT SPECIALISED TRACTOR WILL SUIT YOU?

	VEGETABLES	NUTS	CITRUS	OLIVES	GRAPES	AVOCADO	FRUIT	BANANAS
5D F/S/V TTV		✓	✓	✓	✓	✓	✓	✓
AGROPLUS PROFILINE	✓	✓	✓	✓	✓	✓	✓	✓
AGROPLUS F/S/V		✓	✓	✓	✓	✓	✓	✓
AGROFARM	✓	✓	✓	✓	✓			
5G SERIES	✓	✓	✓	✓	✓			
6 SERIES	✓	✓	✓	✓	✓			
ROPS SERIES	✓	✓	✓	✓	✓	✓	✓	✓

Dear grower,

This booklet is designed to give you a view of what specialised tractors are available from the Deutz-Fahr tractor range. Critical information has been gathered to make sure you get the right tractor for the job as we understand that each farming field demands a different specification to suit your needs.

We hope this booklet helps you and if you require any more information please talk to your Deutz-Fahr dealer.

Many thanks,  
**Anthony Darveniza**  
 Product Manager Deutz-Fahr Tractors



# 5D F/S/V TTV SERIES

## 5D F/S/V TTV SERIES TRACTORS TO SUIT:

-  Vegetables
-  Nuts
-  Citrus
-  Olives
-  Grapes
-  Avocado
-  Fruit
-  Bananas

## 85-113HP

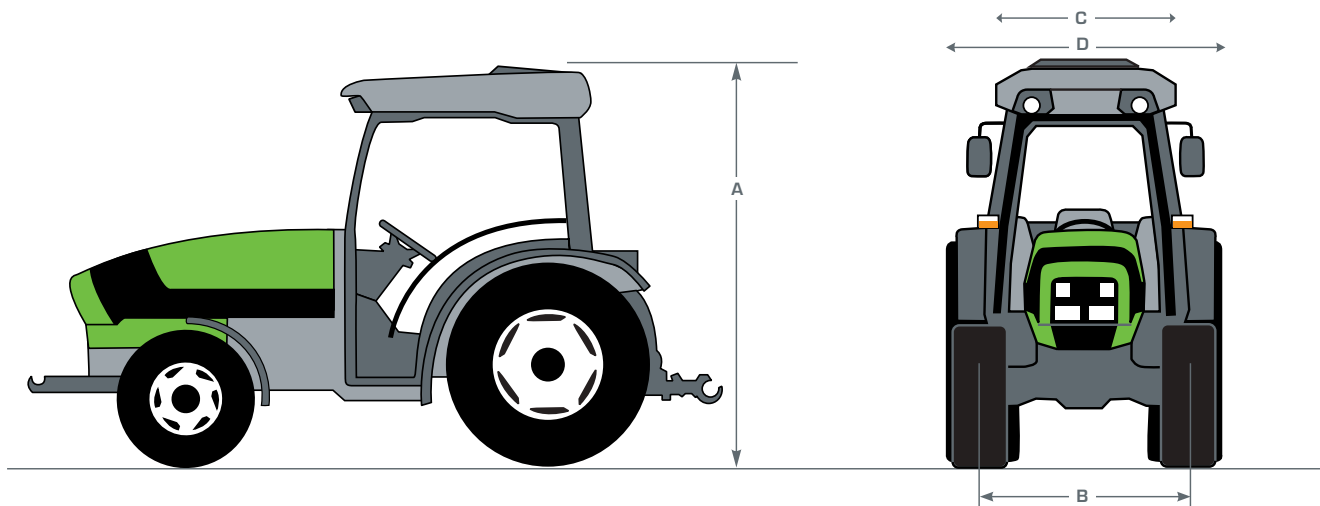
Whether in vineyards or orchards – maximum productivity and flexibility are the building blocks for economically efficient working. Never before have performance, productivity and comfort been united in a specialist tractor as perfectly as in the new Series 5DV/5DS/5DF TTV. Deutz-Fahr presents an innovative specialist tractor for the highest requirements: continuous TTV transmission, maximum driving and operating comfort, and a powerful hydraulic system ensure an unprecedented level of productivity.

The new TTV – the new standard for specialist tractors.



## 5D F/S/V TTV SERIES SPECIALISED TRACTORS SUIT:





	A	B	C	D
Model	Min Overall Height	Min Overall Width	Top Roof Width	Widest Cabin Width
5DF TTV	2445mm	1441mm	1200mm	1200mm
5DS TTV	2420mm	1267mm	1000mm	1000mm
5DV TTV	2395mm	1077mm	1000mm	1000mm



## MAIN FEATURES

- FARMotion Common rail diesel only engine with engine speed programming function
- Continuous TTV Variable transmission with three driving modes (Auto- PTO- Manual)
- Spacious Hi visibility flat platform 4 post cabin with suspension and carbon filters
- MaxCom Armrest control allowing operator to control functions of tractor
- Infocentre Pro dash with tractor telemetry and hectare metre
- Hi flow closed centre 100 l/min hydraulic system
- Electro hydraulic front and rear remotes controlled on armrest
- SDD Steering reducing the amount of turns of steering wheel to achieve full lock
- 4 wheel independent wet disc brakes giving 100% braking on each wheel
- Power Zero Hill control allowing the tractor to hold on the hill without applying the brake
- Front Axle suspension will anti roll system available as option
- Front linkage and PTO available as option





# AGROPLUS F/S/V SERIES

## AGROPLUS F/S/V SERIES TRACTORS TO SUIT:

-  Vegetables
-  Nuts
-  Citrus
-  Olives
-  Grapes
-  Avocado
-  Fruit
-  Bananas

## 85-106HP

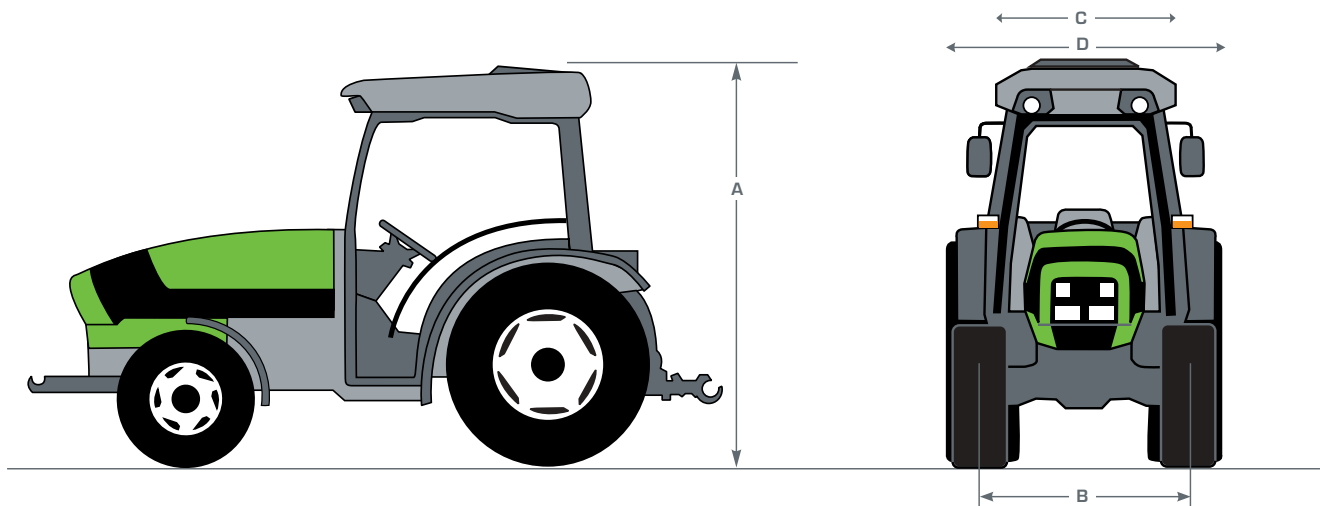
The Agroplus F, S and V are special tractors that are manoeuvrable, compact and versatile with a range of technical features without comparison. With electronically controlled engines, reduced engine speeds at 40 km / h maximum speed and ECO-Speed transmissions with Powershuttle, you also save fuel and time and therefore money. Of rugged and compact design, they are the ideal tractors for vineyards and orchards. With a minimum external width of just 111 cm and a maximum steering angle of 60°, they are ideal for all classical specialist crop cultivation with row widths of 1.20 to 2.20m.

An independent jury of expert journalists in Europe also chose these specialist tractors as the Specialist Tractor of the Year for two years in succession. And even with the comfort cab it still only has a height – depending on the tyres – of just 2.20 m, something which others are unable to offer even with their low roof versions.



## AGROPLUS F/S/V SPECIALISED TRACTORS SUIT:





	A	B	C	D
Model	Min Overall Height	Min Overall Width	Top Roof Width	Widest Cabin Width
Agropius F	2235mm	1430mm	1048mm	1170mm
Agropius S	2285mm	1265mm	1048mm	1040mm
Agropius V	2240mm	1160mm	1048mm	1010mm



## MAIN FEATURES

- Fuel efficient SDF engine with cruise control.
- Narrow overall tractor width of 1110mm and cabin width of 1010mm.
- 60 degree angle with tight turning radius of 3.4m.\*
- The right gear for the right job – 30/15 transmission and 45/45 transmission c/w 3 speed powershift. The operator can choose from a selection of 16 gears from 3km/h to 17km/h.
- PTO speeds tailored to the tractor engine. 540 economy speed achieved at 1600 Rpm, this achieves the best fuel consumption for the tractor.
- High flow hydraulics with 3 sets of rear remotes std and many more configurations available for front, mid and rear.



\*Agropius S & V versions only.



# AGROPLUS PROFILINE SERIES

## AGROPLUS PROFILINE SERIES TRACTORS TO SUIT:

- ✓ Vegetables
- ✓ Nuts
- ✓ Citrus
- ✓ Olives
- ✓ Grapes
- ✓ Avocado
- ✓ Fruit
- ✓ Bananas

## 96HP

Deutz-Fahr has always been one of the leading European manufacturers of specialised tractors. A particularly vivid example of how these decades of expertise have been put to use is the evolution of the Agroplus Profiline range, with a slimline design conceived to cater for all the needs of specialist crops such as vineyards, bananas and citrus. The Agroplus Profiline comes standard with a flat platform and has a narrow overall width of 1650mm using a 340/85R28 rear tyre.



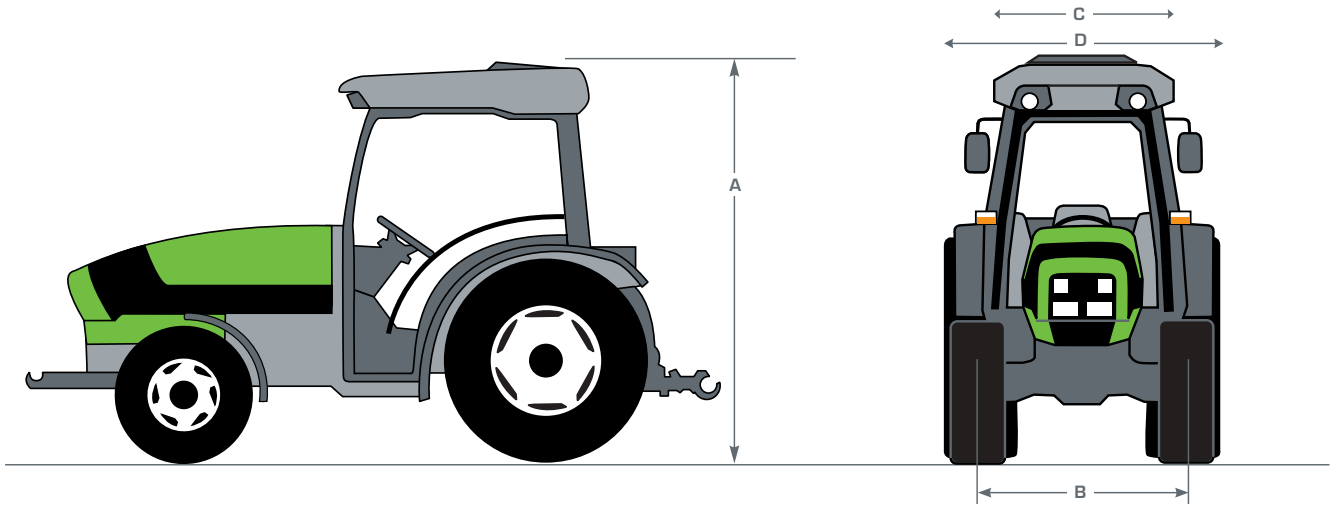
**1.65M OVERALL WIDTH ACHIEVABLE**



## AGROPLUS PROFILINE SPECIALISED TRACTORS SUIT:







	A	B	C	D
Model	Min Overall Height	Min Overall Width	Top Roof Width	Widest Cabin Width
Agropius 420 PL on 14.9R30	2500mm	1700mm	1540mm	1390mm
Agropius 420 PL on 340/85R28	2468mm	1650mm	1540mm	1390mm



Shuttle Modulation



Spacious Flat Platform Cabin



55 Degree Turning

## MAIN FEATURES

- Fuel efficient 96hp SDF engine with cruise control
- Flat platform ergonomic cabin
- Forward/reverse wet clutch power shuttle with modulation
- The right gear for the right job - 45/45 Transmission c/w 3 speed powershift.
- Stop and Go
- Electronic Linkage with headland control
- PTO Speeds tailored to the tractor engine. 540 economy speed achieved at 1600 Rpm, this achieves the best fuel consumption for the tractor
- High flow Hydraulics with 3 sets of Rear remotes std
- 4 wheel disc brakes with front and rear diff lock
- Tight 55 degree turning angle





# AGROFARM SERIES

## AGROFARM SERIES TRACTORS TO SUIT:



## 96-110HP

The Agrofarm Series provides the ideal answer to a wide variety of needs; offering productivity and versatility, superior manoeuvrability and value for money. These tractors offer simple design and use of mechanical controls combining ease of use for the operator. These tractors can be;

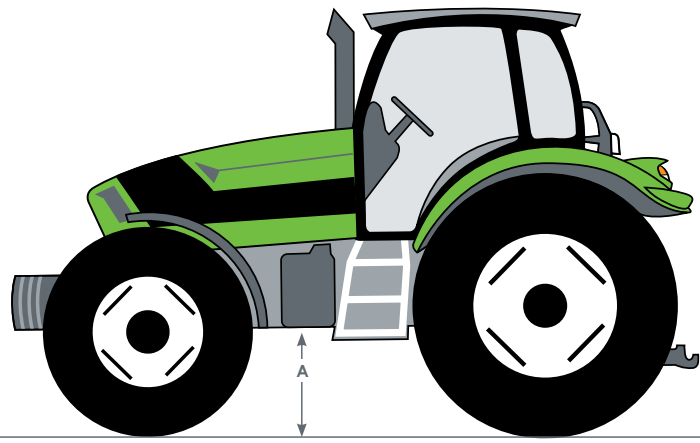
- Lowered to fit into tree crops
- Narrowed to fit between the vines
- Raised for row crop work



## AGROFARM SERIES SPECIALISED TRACTORS SUIT:



	A
<b>ROW CROP Series</b>	<b>Clearance Under Front Diff</b>
Agrofarm fitted on 270/85R50	512mm
Agrofarm fitted on 14.9R38	461mm



Model	Min Overall Height	Min Overall Width	Top Roof Width	Widest Cabin Width
Agrofarm fitted on 14.9R30	2484mm	1800mm	1540mm	1380mm



Powershuttle Modulation



Ergonomic Work Station



ROPS Available

## AGROFARM MAIN FEATURES

- 4 Cylinder fuel efficient turbocharged engine
- Engine speed programming function available on Agrofarm 115
- Choice of ROPS and Cabin
- Choice of Dry clutch or Wet clutch transmission
- Selection of up to 40 gears with a 2 speed powershift (GS model)
- Creep gears available on request
- 4 Speed PTO
- 4 wheel disc brakes
- Tight turning circle





# 5G & 6 SERIES

## 5G & 6 SERIES TRACTORS TO SUIT:



## 102-136HP

In some applications growers need a big frame tractor to do the job. Deutz-Fahr can offer the new 5G and 6 series to do this depending on budget, specification and task at hand. These tractors can be used for all specialist tasks, whether it is vineyard, vegetable farming, citrus, and nuts.



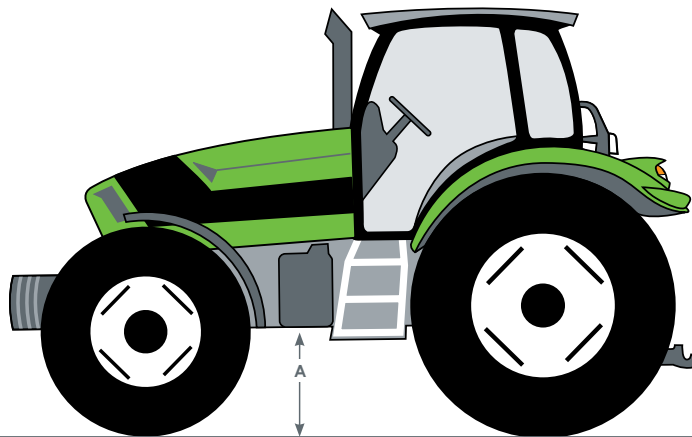
### 5G SERIES MAIN FEATURES

- 4 Cylinder common rail engine
- Choice of 102 and 109hp variants
- Engine speed cruise control
- Wet clutch power shuttle transmission with Stop & Go
- 40/40 Gearbox with 2 speed powershift fitted to 5105.4G
- 60/60 Gearbox with 3 speed powershift fitted to 5115.4G
- Creep gear standard
- Ergonomic spacious Cabin
- Electronic Linkage
- SDD steering standard on 5115.4G
- 4 Speed PTO

## 5G & 6 SERIES SPECIALISED TRACTORS SUIT:



ROW CROP Series	A Clearance Under Front Diff
5G fitted on 14.9R38	461mm
5G fitted on 13.6R46	512mm
6 Series fitted on 14.9R46	577mm
6 Series fitted on 13.6R46	527mm



Model	Min Overall Height	Min Overall Width	Top Roof Width	Widest Cabin Width
5G fitted on 14.9R30	2584mm	1800mm	1680mm	1500mm
6 series fitted on 14.9R38	2832mm	1954mm	1640mm	1630mm



Electronic Rear Linkage



Variable Transmission TTV



Spacious Cabin



## 6 SERIES MAIN FEATURES

- 4 Cylinder common rail engine
- Choice of 126 and 136hp variants
- Engine speed cruise control
- Wet clutch power shuttle transmission with Stop & Go
- 30/30 Gearbox with 3 speed powershift
- Creep gear available on request
- TTV Variable transmission available
- Ergonomic spacious Cabin with cab suspension standard
- SDD steering standard
- Hi flow Electro hydraulic remotes available
- Closed centre 120L/min hydraulics standard
- Front suspension and 50km/h available



# ROPS SERIES

## ROPS SERIES TRACTORS TO SUIT:



Vegetables



Nuts



Citrus



Olives



Grapes



Avocado



Fruit



Bananas

## 62-106HP

The Deutz-Fahr Specialised ROPS series tractor range comes in many different sizes and variants to suit all specialist farming needs. These tractors are designed where a cab tractor cannot fit or applications where a cab is not needed. Deutz-Fahr has a ROPS tractor for your job.



**AGROLUX SERIES**

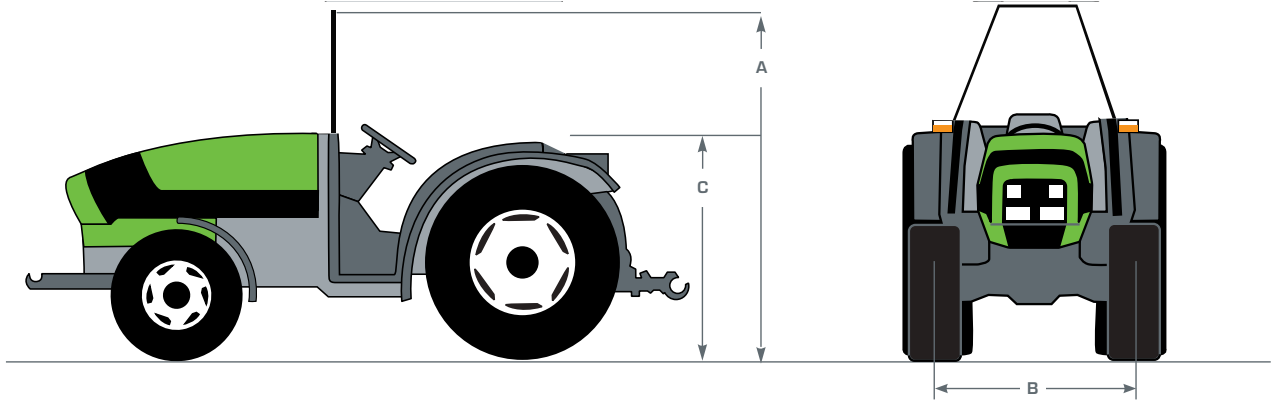
### **AGROLUX SERIES – 62 - 75HP BANANAS - VINEYARDS - VEGETABLES**

- Heavy Duty 50/60/75 hp tractor
- 3 or 4 cylinder Fuel efficient SDF engine
- Bosch individual Injection system
- 15/15 Fully synchro gearbox
- Forward/Reverse Synchro Shuttle
- Simplistic design and easy to use
- Tight turning circle
- FOLD down ROPS frame
- Mechanical tractor that anyone can drive

## ROPS SERIES SPECIALISED TRACTORS SUIT:



ROW CROP Series	A Clearance Under Front Diff
Agrolux series on 13.6-38	440mm
Agrofarm C fitted on 270/85R50	574mm
Agrofarm C fitted on 14.9R38	513mm



Model	A Min Overall Height	B Min Overall Width	C Overall height of Rear Fender
Agroplus F Keyline Rops on 380/70R24	1400mm	1470mm	1275mm
Agrolux series on 14.9-28	2010mm	1620mm	1470mm
Agrofarm 95 C on 14.9R30	2400mm	1690mm	1638mm

## AGROFARM C SERIES – 95HP BANANAS - VEGETABLES

- Heavy Duty Robust tractor
- 4 cylinder turbo charged Fuel efficient SDF engine
- Bosch individual Injection system
- 20/20 Fully synchro gearbox with shuttle
- Creep gear and 40km/h standard
- Hydraulic Direct drive PTO
- 4 wheel disc brakes
- Simplistic design and easy to use



**AGROFARM C SERIES**

## AGROPLUS F SERIES –75- 106HP ORCHARDS/ VINEYARDS / GLASS HOUSES

- Purpose built low profile slim design tractor
- 3 or 4 cylinder engine options
- Fold Down ROPS frame
- Many gearbox configurations
- Dry or wet clutch
- 540/750 PTO speeds – Economy only at 1600 engine rpm
- 4 wheel disc brakes
- Heavy duty linkage



**AGROPLUS F SERIES**

**In today's marketplace, the modern agribusiness needs a competitive edge to stay ahead of the rest. To achieve this, an increasing number of operators are using finance as a means to access the most efficient and advanced farming equipment.**

PFG Credit has become increasingly popular as it can be specifically tailored to your unique circumstances. PFG Credit is provided by De Lage Landen Pty Limited, part of the global Rabobank Group – the world's largest agricultural lender.

PFG Credit can easily allow you to acquire innovative equipment without a heavy down payment. You pay for its use from your operating budget and not from your capital reserves – which means you free up capital that can be used to grow other parts of your business.

Payment solutions can be designed to allow businesses to conserve working capital, budget on a fixed rate, fixed term and fixed repayments to suit their cash flow.

The key benefits of dealing with PFG Credit for a tailored finance solution include;

- Access to the latest innovative equipment
- Keeping your existing lines of credit intact
- Flexible repayment and end-of-term options
- Fixed cost of payment eliminates price fluctuations and uncertainty
- Easier cash flow forecasting
- Simple one-shot loan documentation



PFG Credit offers a wide range of financing and leasing solutions designed to meet your operational needs and cash flow. For more information contact your local dealership or phone our Retail Account Manager - Scott Maxwell on 0447 294 216.

